



## Video Decoder built-in 32ch\*1 Network Disk Recorder


### Key Features

- H.264 and JPEG multi format
- 9 network cameras can be connected and recorded as default. Up to 32\*1 network cameras can be connected and recorded.
- Quick setup by automatic camera detection and simple setup wizard without the use of PC
- "Referenced recording days" is automatically calculated by frame rate, image quality and HDD capacity.
- Simple mouse operation by new GUI without the use of PC
- Quick intuitive search with calendar and timeline
- Live images from up to 32\*1 cameras can be displayed simultaneously.
- Supports the Full HD output (HDMI) that can display recorded images and live images in high definition
- Various alarm sources include 9x Terminal inputs, 32x Camera alarm, Panasonic Alarm Protocol. Flexible alarm actions include Alarm recording, E-mail notification, Alarm message, Camera positioning, Terminal output, Panasonic alarm protocol output, Buzzer and Indicator.
- Camera Control: Pan/Tilt, Zoom, Focus, Brightness, Preset Position, Auto mode (depending on camera model)
- Audio from the i-PRO network cameras can be recorded and played back, G.726 (ADPCM) 32 kbps.
- Flexible Playback Controls: Go to Date (Jump to specific time/date), Go to Last (Jump to 30 s before the record end)
- Various Display Modes: Spot, Multiscreen (4 / 16 split screen display, 4 / 6 / 9 / 12 / 16 / 24 / 32\*1 split screen display on a full screen)
- Various Recording Modes: Schedule, Event (Pre/Post)
- Filtered Search: Time & Date, Event Type, Camera number, Timeline
- Recorded images can be downloaded to a PC.
- Downloadable viewer software allows playback of images downloaded from the Recorder.
- Equipped with a SD memory card slot and USB memory I / F. It realizes a simple local copy.
- Built-in network interface (10Base-T / 100Base-TX / 1000Base-T) for recording and client access
- Up to 8 clients can monitor image and control WJ-NV300 simultaneously.
- Up to 2 HDDs can be installed. (8.89 cm (3.5 inch) Serial ATA HDD)
- HDD capacity is expandable up to 20 HDD slots (2 HDD slots in the main unit and 2 optional WJ-HDE400 Hard Disk Extension Units each with 9 HDD slots).
- RAID5/6 redundant recording for data security (with WJ-HDE400)

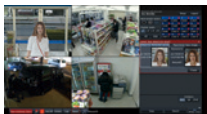
- User authentication, 3 user levels and User level - Camera partitioning setup for user management of up to 16 user registrations
- Multi-recorder, Multi-site system can be made with optional WV-ASM200 i-PRO Management Software.
- ONVIF client, conformance to ONVIF Profile S.

\*1 Three Additional Camera Kits WJ-NVE30 are necessary.

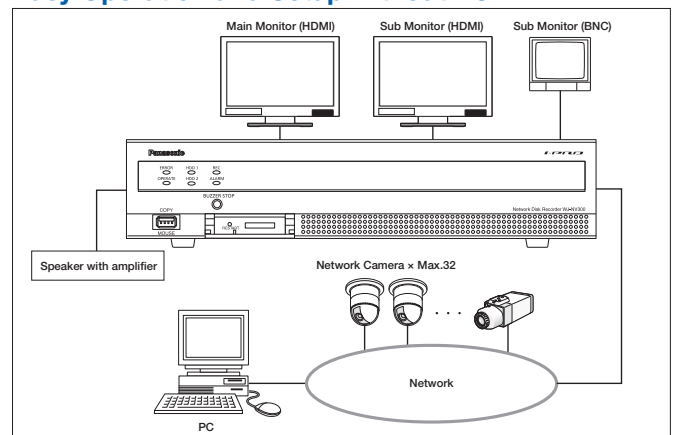
### Optional Accessory

|  |   |
|--|---|
| <b>Hard Disk Extension Unit<br/>WJ-HDE400</b>  | Power Source : 220 ~ 240 V AC, 50 Hz (PAL)  |
|  | Power Consumption: approx. 130 W  |
| <b>Weight</b>  | Dimensions : 430 mm (W) x 132 mm (H) x 400 mm (D)<br>(16-15/16" (W) x 5-3/16" (H) x 15-12/16" (D))<br>(excluding rubber feet and projections) |
|  | Weight : 13.5 kg (29.8 lbs.) (When no HDD exist)<br>20 kg (44.15 lbs.) (When 9 HDDs are installed)  |

### Additional Kit

|   |   |
|---|---|
| <b>Additional Camera Kit<br/>WJ-NVE30</b>   | <b>Additional Business Intelligence Kit<br/>WJ-NVF30</b>                              |
|  |  |

### Easy Operation and Setup without PC



## Specifications

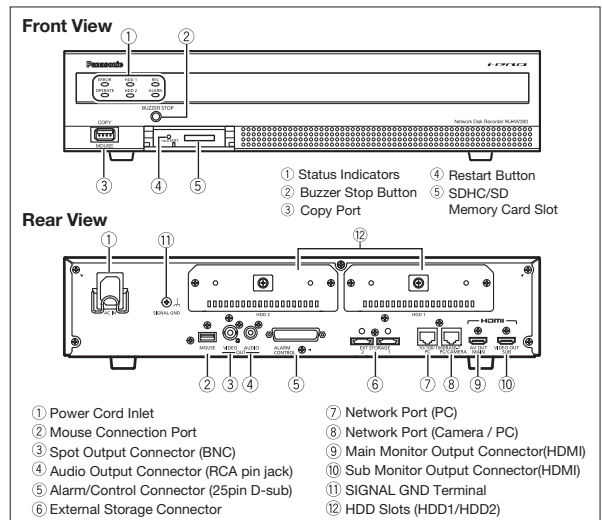
| TV System                               | PAL   |
|---|---|
| <b>Supported Cameras</b>                | Panasonic i-PRO series Network cameras Onvif NVT conformant camera and encoder camera   |
| Supported Image Format                  | H.264, MJPEG  |
| Supported Image Resolution              | Aspect ratio [4:3] : QXGA (2048x1536), SXVGA (1,280 x 960), SVGA (800 x 600), VGA (640 x 480), OVGA (320 x 240)<br>Aspect ratio [16:9]: 1,920 x 1,080, 1,280 x 720, 640 x 360, 320 x 180* Depending on the camera   |
| Supported Audio Format                  | G.726 (ADPCM) 32 kbps   |
| Maximum Number of Cameras               | MAX. 32 <sup>1</sup> (Default Number of Cameras : 9)  |
| <b>Recording</b>                        |   |
| Recording Mode                          | Event, Schedule   |
| Pre-alarm Recording                     | Up to 15 seconds (Up to 10 seconds at 1,920 x 1080 resolution and up to 5 seconds at QXGA)  |
| Scheduled Recording Mode                | 4 programs, 3 time zones/day, Independent setup for each day of the week  |
| Frame Rate/Camera                       | Up to 60fps (Depending on the Camera)   |
| <b>Main Unit Functions</b>              |   |
| Camera Control                          | Pan/Tilt, Zoom, Focus, Brightness, Preset position call and program (up to 256), Auto mode, Click centering, Wheel zoom, Zoom reset, Auto Back Focus  |
| Multiscreen Mode                        | MainMonitor<br>4/16 split screen display, 4/6/9/12/16/24/32* split screen display on a full screen (*24-/32-multiscreen is available when sub monitor isn't on.)<br>SubMonitor<br>1 screen sequence / 4 split screen sequence / 9(16) split screen display  |
| Playback Control                        | PLAY, Rev PLAY, Pause, Stop, FF, FR, Prev Record, Next Record, Prev Image, Next Image, Go to Date, Go to Last (30 s)  |
| Search Mode                             | Search criteria: Time date, Playback by designating a timeline, VMD   |
| Copy                                    | Recorded data of selected cameras and time date range can be copied to the SD (SDHC) card and USB media.  |
| Camera Title                            | Up to 14 characters   |
| Clock Display                           | Time: 12H/24H, Date: 5 formats  |
| Digital Zoom                            | Live: 2x, 4x, 8x (only for 1-screen or 4-screen) Play: 2x, 4x, 8x   |
| System Log                              | Operator access (100), Network error (100), Error (1,000), Event (750)  |
| System Setup                            | Setup page in English, French, Italian, Spanish, German, Russian, Portuguese, Japanese  |
| 360 Camera Dewarp                       | Only 1ch display mode.  |
| re-encoding                             | 1Client   |
| Real Time Face Matching                 | Camera 1Ch, 100 registered face images  |
| <b>Browser GUI</b>                      |   |
| Camera Control                          | Pan/Tilt, Zoom, Focus, Brightness, Preset position call and program (up to 256), Auto mode, Click centering, Wheel zoom, Zoom reset   |
| Playback Control                        | REC, PLAY, Rev PLAY, Pause, Stop, FF, FR, Prev Record, Next Record, Prev Image, Next Image, Go to Date, Go to Last (30 s)   |
| Search Mode                             | Search criteria: Time date, Event type, VMD, Camera number  |
| Display Mode                            | 1 / 4 screen  |
| Image Download                          | Recorded data of selected camera and time range can be downloaded to a PC. Viewer software can be downloaded separately.  |
| SD Memory Data Download                 | N/A   |
| Copy                                    | Recorded data of selected cameras and time date range can be copied to the SD (SDHC) card.  |
| Camera Title                            | Up to 14 characters   |
| Clock Display                           | On the browser. Time: 12H/24H, Date: 5 formats  |
| Alarm Control                           | Reset   |
| Digital Zoom                            | Live/Play: 2x, 4x (only for 1-screen)   |
| System Log                              | Operator access (100), Network error (100), Error (1,000), Event (750)  |
| GUI Language                            | English, French, Italian, Spanish, German, Russian, Portuguese, Japanese  |
| Supported OS                            | Microsoft® Windows® 8.1, Microsoft® Windows® 7, Microsoft® Windows Vista®   |
| Supported Browser                       | Windows® Internet Explorer® 11 (32 bit), Windows® Internet Explorer® 10 (32 bit), Windows® Internet Explorer® 9 (32 bit), Windows® Internet Explorer® 8 (32 bit), Windows® Internet Explorer® 7 (32 bit)  |
| Required PC                             | CPU: Intel® Core™ i7-920 or faster, RAM: 3 GB or more, VRAM: 128 MB or more (Min, 64 MB), Microsoft® DirectX® 9.0c or later   |
| <b>Alarm/Event</b>                      |   |
| Alarm Source                            | 9x Terminal inputs, 32x Camera alarms (Panasonic Alarm Protocol), 128x Command alarms   |
| Event Mode                              | Off/On  |
| Alarm Action                            | Alarm recording, e-mail notification, Alarm message, Camera positioning, Terminal output, Panasonic alarm protocol output, Buzzer, Indicator  |
| Alarm Control                           | Reset   |
| Event log                               | 750   |
| <b>Input / Output</b>                   |   |
| Spot Output Connector                   | 1x 1 V [p-p] / 75 Ω (BNC)   |
| Monitor (HDMI) Connector                | 2x HDMI 1920x1080p /60Hz, 1920x1080p /50Hz, 1920x1080i /60Hz, 1920x1080i /50Hz, 720x576p /50Hz, 720x480p /60Hz  |
| Audio Output Connector                  | 1x -10 dBV, 600 Ω, Unbalanced (RCA)   |
| Alarm / Control Connector / D-sub 25pin | Alarm input 1 - 9 <sup>2</sup> , Alarm output <sup>3</sup> , Alarm reset input <sup>2</sup><br>Time adjustment input <sup>2</sup> , +5 V output <sup>4</sup><br>Network error output <sup>3</sup> , HDD error output <sup>3</sup> , Camera error output <sup>3</sup> , Recorder error output <sup>3</sup> , Recording error output <sup>3</sup> |
| Mouse Connection Port                   | 1x  |
| Network Port                            | 2x 10BASE-T / 100BASE-TX / 1000BASE-T (RJ-45)   |
| USB Memory                              | Only USB2.0 Memory  |
| SDHC/SD Memory Card Slot                | SDHC/SD memory cards applicable (miniSD cards and microSD cards not applicable)   |
| External Storage                        | 2x HDE400   |
| <b>Network</b>                          |   |
| Network Interface                       | 2x 10BASE-T / 100BASE-TX / 1000BASE-T (RJ-45)   |
| Maximum Recording Rate                  | 128 Mbps or less  |
| Maximum Band Width                      | Total 160 Mbps or less  |
| Supported Protocol                      | TCP/IP, UDP/IP, HTTP, FTP, SMTP, DNS, NTP, SNMP, RTP  |
| E-mail                                  | Upon Alarm or Warning   |
| FTP Client                              | 1   |
| No. of Simultaneous Users               | 8 or less   |
| User Registration                       | Up to 16 users  |
| User Level                              | 3 Levels (Programmable)   |
| Partitioning                            | User level - Camera (View & Control, No Access)   |
| Security Method                         | User authentication (ID and Password), Alteration detection   |

- All TV pictures are simulated.
- Masses and dimensions are approximate.
- Specifications are subject to change without notice.
- All product pictures are NTSC models.

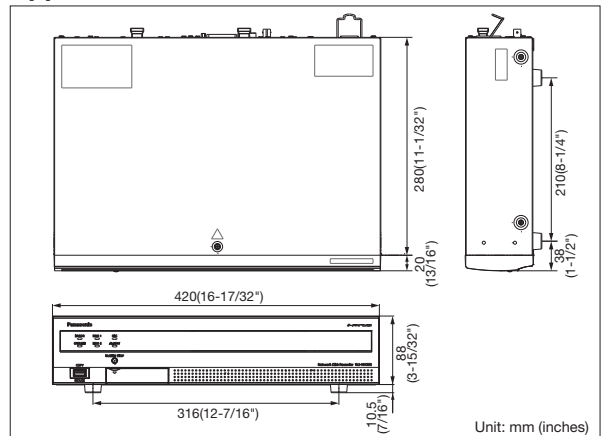
| TV System                            | PAL   |
|--------------------------------------|---|
| <b>Other Functions</b>               | Time Synchronization<br>Summer Time<br>Remote Monitoring on Smartphone/Tablet   |
| <b>HDD</b>                           | Terminal (Slave), NTP (Server/Client)<br>User definable (using menu setup)<br>1Client<br>*Panasonic Security Viewer v.2.1 or later is required on smartphone/tablet PC. |
| <b>Viewer Software</b>               | Type<br>Maximum Capacity<br>RAID  |
| <b>General Specifications</b>        | WJ-NV300: 8.89 cm (3.5 inch) Serial ATA HDD, Up to 2x HDDs can be installed.<br>4TB <sup>5</sup><br>Single, RAID1, 5 <sup>6</sup> , 6 <sup>6</sup>                      |
| <b>Power Source</b>                  | 220 V - 240 V AC 50 Hz/60 Hz (PAL)  |
| <b>Power Consumption</b>             | approx. 55 W (with 4TBHDDx2)  |
| <b>Ambient Operating Temperature</b> | Main body: +5 °C ~ +45 °C (41 °F ~ 113 °F)<br>Mouse (provided): +5 °C ~ +40 °C (41 °F ~ 104 °F)   |
| <b>Ambient Operating Humidity</b>    | 5 % ~ 90 % (without condensation)   |
| <b>Maximum Operating Altitude</b>    | 2,000 m (6,562 feet) above sea level  |
| <b>Dimensions</b>                    | 420 mm (W) x 88 mm (H) x 300 mm (D)<br>(16-17/32" (W) x 3-15/32" (H) x 11-13/16" (D))<br>(excluding rubber feet and projections)  |
| <b>Mass (approx.)</b>                | 5.3 kg (11.70 lbs), without HDD<br>6.0 kg (13.25 lbs), with 1 HDD, 6.7 kg (14.79 lbs), with 2 HDDs  |

- \*1: Three Additional Camera Kits WJ-NVE30 are necessary. \*2: Non-voltage make contact input, 50 kΩ +5 V DC pull-up
- \*3: Open collector output, 24 V DC, 100 mA max. \*4: 200 mA max. \*5: Please check the following URL for the latest information.
- < <http://security.panasonic.com/pss/security/library/html> > \*6: Hard Disk Extension Unit WJ-HDE400 is necessary.

## Part Names and Functions



## Appearance



### Trademarks and registered trademarks

- Microsoft, and Windows are registered trademarks of Microsoft Corporation in the U.S. and other countries.
- UniPhier is a registered trademark of Panasonic Corporation.
- "i-PRO SmartHD" logo is trademarks or registered trademarks of Panasonic Corporation.
- ONVIF and the ONVIF logo are trademarks of ONVIF Inc.

### Important

- Safety Precaution: Carefully read the Important Information, Installation Guide and operating instructions before using this product.
- Panasonic cannot be responsible for the performance of the network and/or other manufacturers' products used on the network.

DISTRIBUTED BY:

# Panasonic

<http://security.panasonic.com>



<http://www.facebook.com/PanasonicNetworkCamera>

(2A-117AA)