

KPC-DNR230



- ✧ 1/3" Sony Super HAD CCD II
- ✧ High-Resolution of 550 TVL
- ✧ 3D DNR (3D Digital Noise Reduction)
- ✧ Digital WDR
- ✧ Digital Day&Night
- ✧ Privacy Mask
- ✧ OSD w ith Built-In Joystick Controller
- ✧ Super Compact Size of $\Phi 23(\text{mm})$ Dimension
- ✧ Extreme Clear Cutting Edge Picture
- ✧ Waterproof IP67

➤ SPECIFICATION

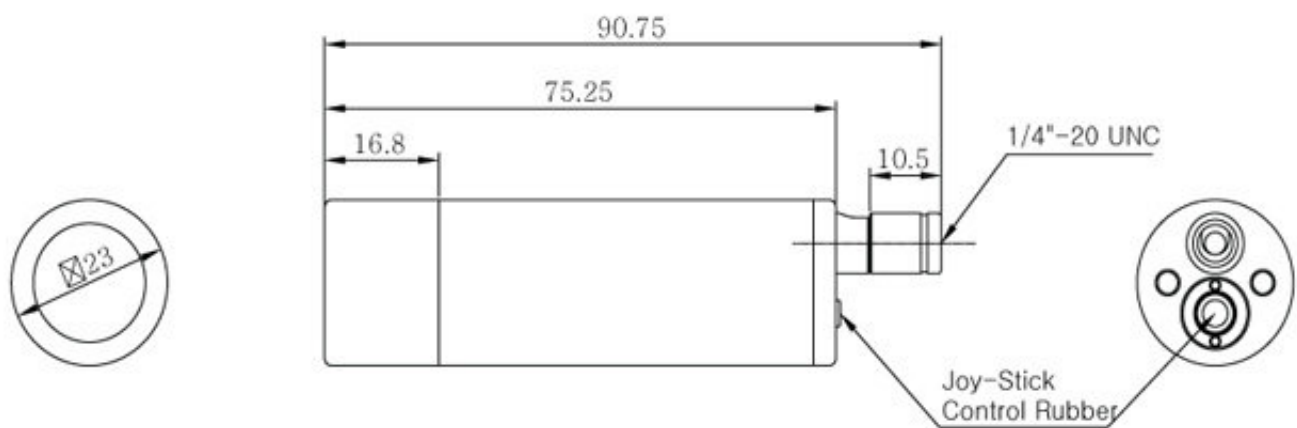
Model Name	KPC-DNR230
Image Device	1/3" SONY Super HAD CCD II
Scanning System	2:1 Interlace
Scanning Frequency	NTSC : 15.734 KHz(H), 59.94 Hz(V)
	PAL : 15.625 KHz(H), 50 Hz(V)
H. Resolution	550 TVL
Total Pixels	NTSC : 811(H) x 508(V) / PAL : 795(H) x 596(V)
Effective Pixels	NTSC : 768(H) x 494(V) / PAL : 752(H) x 582(V)
S/N Ratio	More than 50dB (AGC Off)
Min. Illumination	0.2 Lux / F2.0
Sync. System	Internal
Gamma	$\gamma = 0.45$
Video Output	1.0 Vp-p Composite (75 Ω)
Lens	Fixed Board Lens / Pinhole Lens / Vari-Focal Lens
Electronic Shutter	NTSC : 1/60 ~ 1/100,000 sec / PAL : 1/50 ~ 1/100,000 sec
Digital WDR	Indoor, Outdoor 1, Outdoor 2
DNR	3D DNR, Level Adjustable
Sense-Up	x2, x4, x8, x16, x32, x64, x128, x256
AGC	Off, Low, Mid, High
White Balance	ATW, PUSH, PUSH-LOCK, Manual, Indoor, Outdoor
Privacy	8 Zone
OSD	Built-In
Language	Option 1 : English, French, Russian, German, Spanish, Dutch
	Option 2 : English, Chinese
IP Rating	IP67 Waterproof
Operating Temperature	14°F ~ 122°F (-10°C ~ +50°C)

Storage Temperature	-4°F ~ 140°F (-20°C ~ +60°C)
Humidity	Less than 80%
Power Consumption	DC12V (±10%), Max. 120mA
Dimensions (mm)	Φ23 X 75.25
Weight	Approx. 68g

» LENS OPTIONS

Type	Board Lens				
Focal Length	2.97	3.6	6	8	12
Aperture	F2.0	F2.0	F2.0	F2.0	F2.2
Angle of View	130°	92°	53°	40°	28°

» DIMENSIONS



» MOUNTING POSITION

