

VKD FW480

700TVL Waterproof IR Camera



Features

- > 1/3" SONY EXview HAD CCD II & Effio-E DSP
- > High resolution of 700TVL(Color)
- > DWDR, Day/Night, 2DNR, AWB, AGC,BLC, MD, Privacy Masking, Picture Adjustment
- > 4~9mm varifocal motorized lens (8~20mm optional)
- > IR LEDs length 50m(100m optional), Smart IR
- > OSD, IP66, DC12V

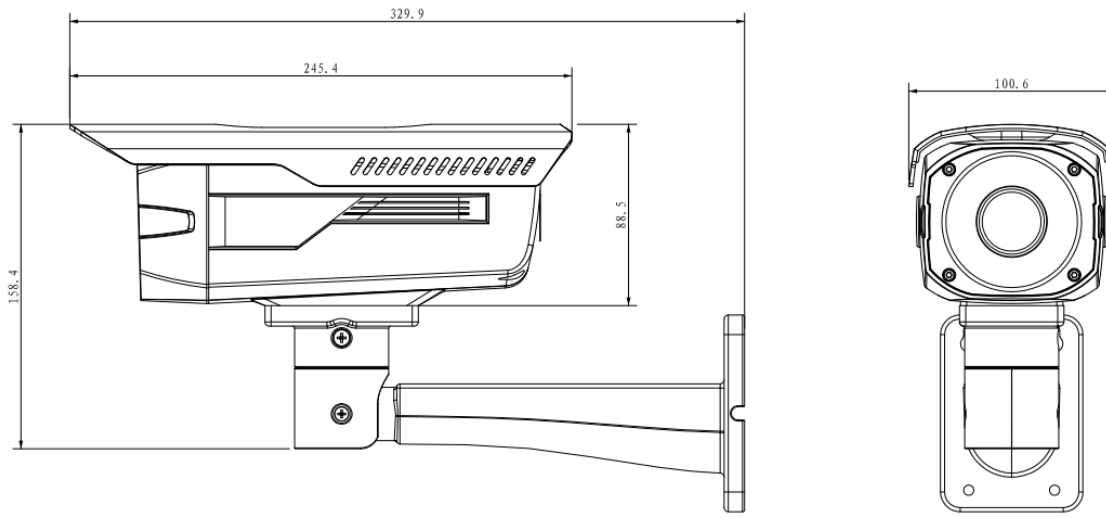
VKD FW480

Technical Specifications

Camera	
Image Sensor	1/3" EXview HAD CCD II
Effective Pixels	976(H) x582(V), 570K pixels
Horizontal Resolution	Color: 700TVL
Electronic Shutter	1/50s~1/100,000s
Synchronization	Internal
Min. Illumination	0.02Lux@F1.2(0Lux IR LED on)
S/N Ratio	>60dB
Video Output	1Vp-p Composite Output (75Ω/BNC)
Camera Features	
Max. IR LEDs Length	50m(100m optional), Smart IR
OSD	English, Chinese, French, German, Russian, Spanish, Portuguese, Japanese
Backlight Compensation	BLC / HLC / DWDR
White Balance	Auto Trace WB1 / Auto Trace WB2 / Manual / Auto
Gain Control	Auto / Manual
Noise Reduction	2D
Privacy Masking	Up to 4 areas
Picture Adjustment	Mirror / Brightness / Contrast / Sharpness / Hue / Gain
Lens	
Focal Length	4~9mm motorized lens (8~20mm optional)
Focus Control	Auto
Mount Type	Φ14
Auxiliary Interface	
RS485	1 port
General	
Power Supply	DC12V±10%
Power Consumption	Max 8W
Working Environment	-30°C~+60°C / 20%~80%RH
Ingress Protection	IP66
Dimensions(W×D×H)	98.4mm × 245.5mm × 100.6mm
Weight	1100g
Others	Default: bracket included

VKD FW480

Dimensions (mm)



比例 1:2