

NMH120ZLAI

HD 3x AF Box Camera



FEATURES

- No more effort for precise Varifocal lens focusing
- 1/2.9" Sony "Exmor" CMOS sensor
All-Pixel Scan: 1920(H) X 1200(V) app. 2.3 Mega Pixel
- x3 Optical Zoom (3mm ~9mm)
- Full HD Resolution
- Day & Night (ICR)
The ICR will automatically engage depending on the ambient light, allowing the camera to be effective in day & night environment.
- WDR (Wide Dynamic Range)
WDR, more effectively than previous models, by applying an optimum fusion ratio when combining the high speed shutter used in bright areas and the low speed shutter used in dark areas.
- DNR (Digital Noise Reduction, 2D+3D)
The DNR technology eliminates noise thus generating a distinct and clear image. This camera DNR function utilizes both an adaptive 2D filter reducing noise in the brightness of the image and an adaptive 3D filter reducing noise caused by movement.
- Privacy mask Function
The privacy zone function makes it possible to make specific areas of the scene from view.
- Intelligent motion detection
You can transmit an alert signal when it detects motion of an object on the screen. This feature is useful when you have to monitor several screens simultaneously.
- Defog
Defogging foggy video image.
- HLC(High Light Compensation Function)
- DC12V operation (AC24V optional)

- ❖ 3x AF zoom
- ❖ 1080p & 720p
- ❖ WDR & ACE
- ❖ DSS & 3D-DNR

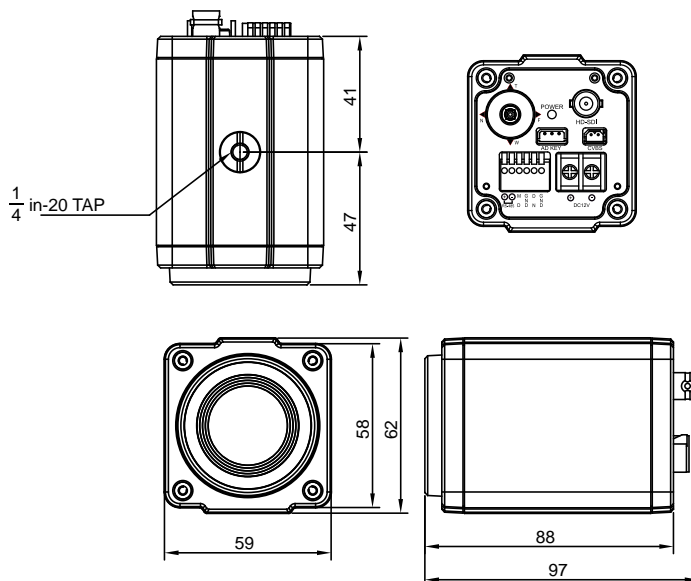


SPECIFICATIONS

MODEL	NMH120ZLAI
Image Sensor	1/2.9" Sony "Exmor" CMOS
Effective pixels	Approx. 2 Mega Pixels
Aspect Ratio	16 : 9
Lens	3x Optical Zoom f=3.0mm(wide) ~ 9.0mm(tele) F1.2 to F2.1
Digital Zoom	Max 32x
Resolution	1080P/30, 720P/60
Min. illumination	Color : 0.5 lux , BW : 0.1lux Color DSS : 0.002 lux , BW DSS : 0.001 lux
Video Output	HD-SDI, CVBS
S/N Ratio	more than 50dB (AGC off)
Camera Control Comm	Baud Rate:2400 / 4800 / 9600 / 19200 / 38400 / 57600 / 115200 Protocol : VISCA / Pelco-D / Pelco- P / Update
Focusing Mode	Auto / One Push / Manual
Shutter Speed	1/30(25) ~ 1/60,000 sec
WDR/BLC	OFF / WDR / BLC
White Balance	AUTO / One Push / Manual / Indoor / Outdoor
Power Source	9V to 15V DC
Power Consumption	Max 350mA
Storage Temperature	-20℃ ~ +60℃ (Humidity : 20%RH ~ 95%RH)
Operating Temperature	-5℃ ~ +60℃ (Humidity : 20%RH ~ 80%RH)
External Dimension	85 X 59 X 60 mm (tentative)

DIMENSIONS

Unit : mm



Distribuito da

PAMIRON
see the world