

# Smaller but Stronger

## Compact Nighttime Monitoring Camera



High Resolution IR Vandal Resistant Dome Camera

# SCV-2081R

The SCV-2081R is a high performance vandal-resistant dome camera capable of illuminating subjects up to 65ft from the camera thanks to its built-in IR LEDs. This delivers exceptionally clear images in complete darkness. What's more, the SCV-2081R automatically adjusts the intensity of its IR LEDs according to the distance to the subject it is viewing in order to eliminate bright highlights and ensure a perfectly balanced foreground and background image.

The built-in 3.6X vari-focal lens (2.8 ~ 10mm) is True Day/Night (ICR) and provides an optimal monitoring range in any installation environment. Also, with full weatherproof protection to IP66, the SCV-2081R can be installed both indoors and outdoors.

- High Resolution of 600TV Lines
- True Day & Night (ICR)
- Min. Illumination 0Lux (IR LED on), IR distance 65ft
- 3.6x V/F Lens(2.8~10mm),
- Coaxial Control (Pelco-C), 24VAC/12VDC, IP66



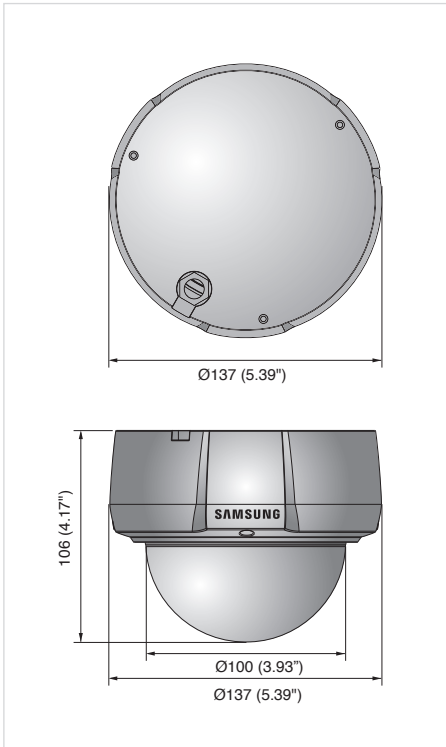
# High Resolution IR Vandal Resistant Dome Camera

## SCV-2081R



### Dimensions

Unit : mm (inch)



### Specifications

	SCV-2081RN	SCV-2081RP
<b>VIDEO</b>		
Imaging Device	1/3" Super HAD CCD	
Total Pixels	811(H) x 508(V)	795(H) x 596(V)
Effective Pixels	768(H) x 494(V)	752(H) x 582(V)
Scanning System	2 : 1 Interlace	
Synchronization	Internal / Line lock	
Frequency	H : 15.734KHz / V : 59.94Hz	H : 15.625KHz / V : 50Hz
Horizontal Resolution	Color : 600TV lines, B/W : 700TV lines	
Min. Illumination	Color : 0.15Lux@F1.2 (50IRE), 0.0003Lux (Sens-up, 512x) B/W : 0Lux (LED on)	
S / N Ratio	52dB (AGC off, Weight on)	
Video Output	CVBS : 1.0 Vp-p / 75Ω composite	
<b>LENS</b>		
Focal Length (Zoom Ratio)	2.8 ~ 10mm (3.6x)	
Max. Aperture Ratio	1 : 1.2(Wide) ~ 2.8(Tele)	
Angular Field of View	H : 94.4°(Wide) ~ 28°(Tele) / V : 69.2°(Wide) ~ 21°(Tele)	
Lens Type	DC auto iris	
Mount Type	Board type	
<b>PAN / TILT</b>		
Pan Range	0° ~ 352°	
Tilt Range	0° ~ 73°	
Rotate Range	0° ~ 348°	
<b>OPERATIONAL</b>		
On Screen Display	English, Japanese, Spanish, French, Portuguese, Taiwanese, Korean	English, French, German, Spanish, Italian, Chinese, Russian, Polish, Czech, Romanian, Serbian, Swedish, Danish, Turkish, Portuguese
Camera Title	Off / On (Displayed 15 characters)	
Day & Night	Auto (ICR) / Color / B/W	
Backlight Compensation	BLC / HLC / Off	
Contrast Enhancement	SSDR (Off / On)	
Digital Noise Reduction	SSNRIII (Off / On)	
Digital Image Stabilization	Off / On	
Motion Detection	Off / On (8 programmable zones)	
Privacy Masking	Off / On (12 programmable zones)	
Sens-up (Frame Integration)	2x ~ 512x	
Gain Control	Off / Low / High	
White Balance	ATW / Outdoor / Indoor / Manual / AWC (1,700K° ~ 11,000K°)	
Electronic Shutter Speed	1/60 ~ 1/120,000sec	1/50 ~ 1/120,000sec
Digital Zoom	Off / On (1x ~ 16x)	
Flip	Vertical / Horizontal	
Communication	Coaxial control	
Protocol	Coax : Pelco-C (Coaxitron)	
IR Distance	20m (IR LED 20ea)	
<b>ENVIRONMENTAL</b>		
Operating Temperature / Humidity	-10°C ~ +50°C (+14°F ~ +122°F) / Up to 100% RH	
Ingress Protection	IP66	
<b>ELECTRICAL</b>		
Input Voltage	Dual (24V AC & 12V DC ±10%)	
Power Consumption	Max. 3W / Max. 4W (IR LED on)	
<b>MECHANICAL</b>		
Color / Material	Ivory / Aluminum	
Dome Cover	Polycarbonate / Smoked	
Dimensions (WxH)	Ø137.0 x 106.0mm (Ø5.39" x 4.17")	
Weight	700g (1.54 lb)	



**SAMSUNG TECHWIN AMERICA Inc.**  
100 Challenger Road, Suite 700, Ridgefield Park, NJ 07660, UNITED STATES  
Tol Free : 1-877-213-1222 Fax : 1-201-373-0124  
www.samsungsecurityusa.com



The Eco mark represents Samsung Techwin's will to create environment-friendly products, and indicates that the product satisfies the EU RoHS Directive.

Design and specifications are subject to change without notice.

■ DISTRIBUTED BY

