

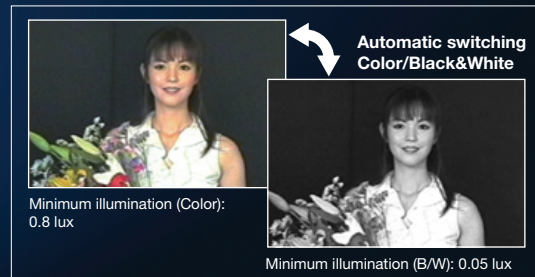
NTSC WV-CP290 (120 V AC)

WV-CP294 (24 V AC or 12 V DC)

PAL WV-CP290 (220 ~ 240 V AC)

WV-CP294 (24 V AC or 12 V DC)

Lens: optional



Superb Image Quality and Cost Performance True Day/Night Camera

Key Features

- 1/3 inch CCD pick-up element with 768 (H) x 494 (V) (NTSC) / 752 (H) x 582 (V) (PAL) pixels
- Newly-developed Digital Signal Processor (DSP)
- High resolution: 540 TV lines
- High sensitivity with Day/Night function: 0.8 lux (Color), 0.05 lux (B/W) at F1.4.
IR cut filter switches on/off to enhance the sensitivity in B/W mode.
- Signal-to-Noise Ratio: 50 dB (equivalent to AGC Off, Weight On)
- ABS (Adaptive Black Stretch) enhances visibility of dark area without degrading image quality in bright area.
- Various adjustment features including BLC (Back Light Compensation), ATW (Auto Tracing White Balance) and ALC (Automatic Light Control)
- 2 White Balance modes are selectable with Dip Switch: ATW (Auto Tracing White Balance) / AWC (Automatic White Balance Control)
- Internal / Line-lock / Multiplexed Vertical Drive (VD2) synchronization
- CS-mount lenses. DC-servo ALC lenses.

Standard Accessories

- | | |
|---|---|
| • Operating Instructions 1 pc. | • Power Cord (only for WV-CP290) |
| • CD-ROM (only for PAL) 1 pc. | 1 pc. |
| The CD-ROM contains the operating instructions (PDF). | |
| | • Power Cord Plug (only for WV-CP294) |
| | 1 pc. |

Optional Accessories

1/3 inch 2x Varifocal Lens
WV-LZA61/2S
(3.8 ~ 8 mm)
F1.4 (Wide)
F1.8 (Tele)

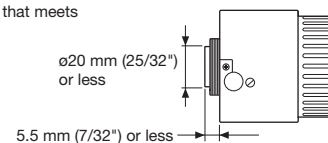


1/3 inch 8x Varifocal Lens
WV-LZ62/8S
(5 ~ 40 mm)
F1.6 (Wide)
F1.9 (Tele)



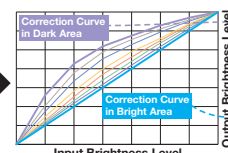
In case of use of other lenses

Please select lenses that meets the following:



Newly-developed DSP utilizes the Adaptive Black Stretch technology

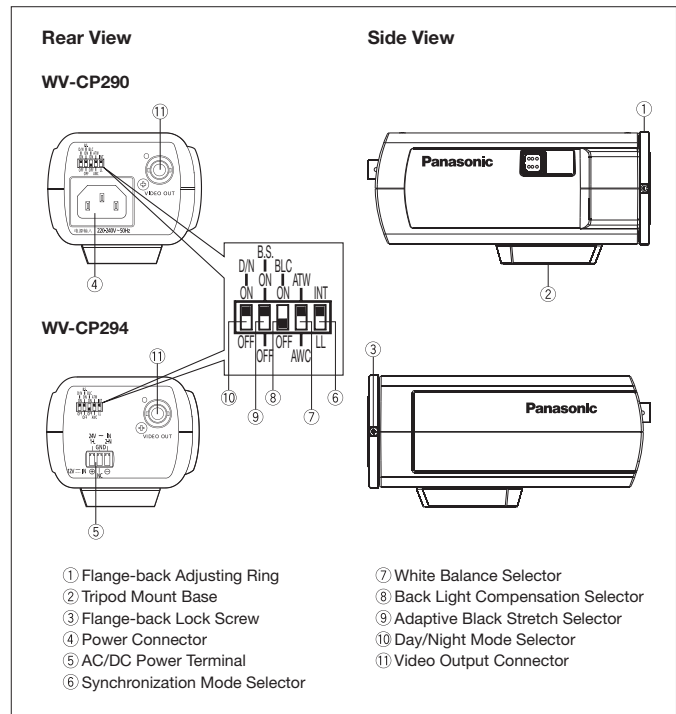
The DSP to automatically detect dark areas inside an image, applying the most suitable correction curve based on brightness data of areas surrounding the dark area. This image processing algorithm transforms shadows and dark areas into natural and crisp images in real time.



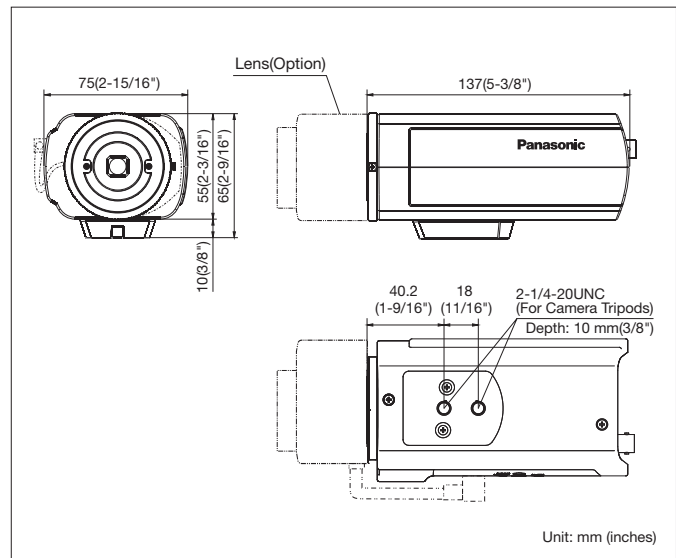
Specifications

TV System	NTSC	PAL
Camera	1/3 inch interline transfer CCD	
Effective Pixels	768 (H) x 494 (V)	752 (H) x 582 (V)
Scanning Mode	2:1 interlace scan	
Scanning Area	4.9 mm (H) x 3.7 mm (V)	
Scanning Frequency	Horizontal: 15.734 kHz Vertical: 60 Hz	Horizontal: 15.625 kHz Vertical: 50 Hz
Scanning Line	525 lines	625 lines
Resolution	Horizontal: 540 TV lines Vertical: 400 TV lines	
Minimum Illumination	Color: 0.8 lux at F1.4 B/W: 0.05 lux at F1.4	
Signal-to-Noise Ratio	50 dB (equivalent to AGC Off, Weight On)	
White Balance	ATW / AWC	
Lens Mount	CS-mount	
Synchronization	Internal (INT), Multiplexed Vertical Drive (VD2), Line-Lock (LL)	
Switch Function	White balance mode selector (ATW/AWC) Back Light Compensation selector (ON/OFF) Adaptive Black Stretch selector (ON/OFF) Day/Night mode selector (ON/OFF) Synchronization mode selector (INT/LL)	
Input / Output	Video Output 1.0 V [P-P] / NTSC composite 75 Ω / BNC Connector Multiplexed VD2 capable	1.0 V [P-P] / PAL composite 75 Ω / BNC Connector Multiplexed VD2 capable
General	Safety/EMC Standard UL (JL60065), FCC (Part15 ClassA), C-UL (E60065), DOC (ICES003 ClassA)	CE (EN60065, EN55022 ClassB, EN55024), GOST (GOST R 51558), SEMKO (EN60065)
Power Source and Power Consumption	WV-CP290: 120 V AC 60 Hz, 2.5 W WV-CP294: 24 V AC 60 Hz, 2.9 W 12 V DC, 240 mA	WV-CP290: 220 ~ 240 V AC 50 Hz, 3.2 W WV-CP294: 24 V AC 50 Hz, 2.9 W 12 V DC, 240 mA
Ambient Operating Temperature	-10 °C ~ +50 °C (14 °F ~ 122 °F)	
Ambient Operating Humidity	90 % or less (without condensation)	
Dimensions (approx.)	75 mm (W) x 65 mm (H) x 137 mm (D) (2-15/16" (W) x 2-9/16" (H) x 5-3/8" (D)) (excluding the lens, connector)	
Weight (approx.)	WV-CP290: 365 g (0.8 lbs.) WV-CP294: 330 g (0.73 lbs.)	

Part Names and Functions



Appearance



- All TV pictures are simulated.
- Weights and dimensions are approximate.
- Specifications are subject to change without notice.
- These products may be subject to export control regulations.
- All product pictures are NTSC models.

Important

– Safety Precaution: carefully read the operating instructions and installation manual before using this product.

DISTRIBUTED BY:

Panasonic[®]

<http://panasonic.net/security/>

Printed in Japan (2A-055L)