

## 4-megapixel iA(Intelligent Auto) H.265 Varifocal Camera

Panasonic WV-U2542L captures the highest quality 4MP resolution images in even very challenging and dynamic environments. Intelligent Auto (iA) monitors scene dynamics and motion to adjust key camera settings automatically in real-time reducing distortion such as motion blur on moving objects. By adopting H.265 Smart Coding technology, bandwidth efficiency is intelligently increased for longer recording and less storage.

### Extreme image quality allows evidence to be captured even under challenging conditions

- Auto Shutter speed control for fast moving vehicles
- Sharp and clear images of a walking person day & night
- Outstanding low light performance in true color with low noise for night time applications
- Super Dynamic 102dB for backlit situations involving headlights and shadows on night streets

### Extreme bandwidth compression with Panasonic H.265 Smart Coding

- Longer recording and less storage compared to any H.264 based compression techniques
- Self-learning ROI\* encoding (Auto VIQS) detects movement within the image and compresses the areas with little motion in order to reduce transmitted data while maintaining the quality of the image.

\*Region of Interest

### Key Features

- 4-megapixel images up to 30fps
- 2.5x built-in motorized zoom and motorized focus lens
- iA (intelligent Auto)
- Super Dynamic 102dB
- Color night vision (0.019 to 0.3 lx)
- H.265 Smart Coding
- Corridor mode  
(90 degrees or 270 degrees in image rotation)

### Industry examples

- Safe Cities
- Transportation (Airport / Train, Subway station)
- Bank (ATM, Entrance)
- Retail / Logistics / Education / Hospital / Building



# Specifications

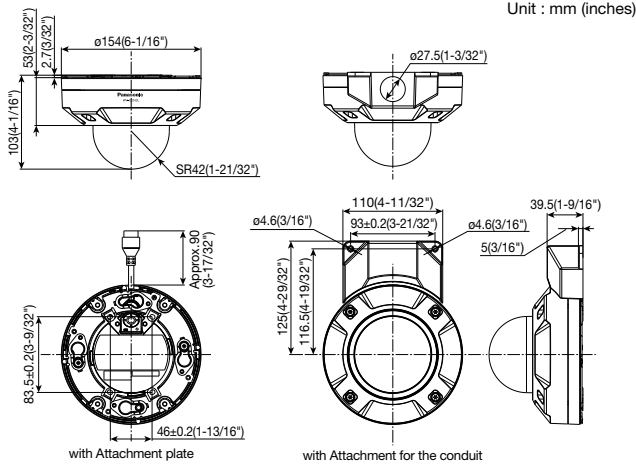
<b>Camera</b>	Image Sensor	Approx. 1/2.7 type CMOS image sensor
	Minimum Illumination	Color : 0.3 lx, BW: 0.12 lx (50IRE, F2.0, Maximum shutter: Off (1/30s), AGC: 11) BW : 0 lx (0 footcandle) (50IRE, F2.0, Maximum shutter: OFF (1/30 s), AGC: 11, when the IR LED is lit) Color : 0.019 lx, BW: 0.0075 lx (50IRE, F2.0, Maximum shutter: max. 16/30s, AGC: 11) *1
	White Balance	ATW1/ ATW2/ AWC
	Maximum shutter	<b>[30fps mode]</b> Max. 1/10000 s to Max. 16/30 s <b>[25fps mode]</b> Max. 1/10000 s to Max. 16/25 s
	Intelligent Auto	On / Off
	Super Dynamic	On / Off, the level can be set in the range of 0 to 31.
	Dynamic Range	Max.102 dB (Super Dynamic: On, Level: 31)
	Adaptive Black Stretch	—
	Back light compensation / High light compensation	BLC/ HLC/ Off (only when Super Dynamic/ Intelligent auto: Off)
	Fog compensation	On / Off, The level can be set in the range of 0 to 8. (only when Intelligent auto / auto contrast adjust: Off)
	Maximum gain (AGC)	The level can be set in the range of 0 to 11.
	Color/BW (ICR)	Off/ On (IR Light Off)/ On (IR Light On)/ Auto1 (IR Light Off)/ Auto2 (IR Light On)/ Auto3 (SCC)
	IR LED Light	High/ Middle/ Low/ Off Maximum irradiation distance: 20 m (Approx. 65 ft)
	Digital Noise Reduction	The level can be set in the range of 0 to 255.
	Video Motion Detection (VMD)	On / Off, 4 areas available
	Privacy Zone	On / Off (up to 8 zones available)
	Image rotation	0° (Off)/ 90°/ 180° (Upside-down)/ 270°
	Camera Title (OSD)	On / Off, Up to 20 characters (alphanumeric characters, marks)
<b>Lens</b>	Focal length	2.9 mm – 7.3 mm (1/8inches-9/32inches)
	Optical zoom	2.5x (Motorized zoom / Motorized focus)
	Extra optical zoom	2.5x – 3.3x (when resolution is 1920x1080)
	Digital (electronic) zoom	Choose from 3 levels of x1, x2, x4
	Angular Field of View	<b>[16 : 9 mode]</b> *4:3 mode is not supported. Horizontal : 43° (TELE) – 100° (WIDE), Vertical : 24° (TELE) – 56° (WIDE)
	Maximum Aperture Ratio	1 : 2.0 (WIDE) – 1 : 3.0 (TELE)
<b>Adjusting Angle</b>	Focusing Range	1 m (39-3/8 inches) – ∞
	Ceiling mounting	—
<b>Browser GUI</b>	Wall mounting	—
	Camera Control	Brightness
	GUI / Setup Menu Language	English, Italian, French, German, Spanish, Portuguese, Russian, Chinese, Japanese

\*1 Converted value

\*2 Only when installation work is properly performed according to the Installation Guide and appropriate waterproof treatment is performed.

<b>Network</b>	Network IF	10Base-T / 100Base-TX, RJ45 connector	
	Resolution H.265	<b>[16 : 9 mode]</b> *4:3 mode is not supported. 2560x1440, 1920x1080, 640x360, 320x180	
	H.265	Transmission Mode	Constant bit rate / VBR / Frame rate / Best effort
		Transmission Type	Unicast / Multicast
	Max. frame rate for each stream	Stream(1)	30fps
		Stream(2)	15fps
	JPEG	Stream(3)	15fps
		JPEG(1)	3fps
	Image Quality	JPEG(2)	3fps
		Smart Coding	10 steps
<b>Alarm</b>	Smart Coding	<b>GOP(Group of pictures) control:</b> On(Frame rate control)/ On(Advanced)/ On(Mid)/ On(Low)/ Off <b>AUTO VIQS: On/ Off</b>	
	Audio Compression	—	
	Audio transmission mode	—	
	Supported Protocol	IPv6 : TCP/IP, UDP/IP, HTTP, HTTPS, SMTP, DNS, NTP, SNMP, DHCPv6, RTP, MLD, ICMP, ARP, IEE802.1X, DiffServ IPv4 : TCP/IP, UDP/IP, HTTP, HTTPS, RTSP, RTP, RTP/RTCP, SMTP, DHCP, DNS, DDNS, NTP, SNMP, UPnP, IGMP, ICMP, ARP, IEE802.1X, DiffServ	
	No. of Simultaneous Users	Up to 14 users (Depends on network conditions)	
	SDXC/SDHC/SD Memory Card (Option)	H.265 recording: Manual REC / Alarm REC (Pre/Post) / Schedule REC / Backup upon network failure Compatible microSDXC/microSDHC Memory Card: Panasonic 32 GB*, 64 GB**model *microSDXC card, **microSDHC card	
	Mobile Terminal Compatibility	iPad, iPhone, Android™ terminals	
	Alarm Source	VMD alarm, SCD alarm, Command alarm	
	Alarm Actions	SDXC/SDHC/SD memory recording, E-mail notification, HTTP alarm notification Indication on browser, Panasonic alarm protocol output	
	<b>Input/ Output</b>	Monitor Output(for adjustment)	—
Audio input/Audio Output		—	
<b>General</b>	External I/O Terminals	—	
	Safety	UL (UL60950-1), c-UL (CSA C22.2 No.60950-1), CE, IEC60950-1	
	EMC	FCC (Part15 ClassA), ICES003 ClassA, EN55032 ClassB, EN55024	
	Power Source and Power Consumption	PoE (IEEE802.3af compliant) Device: DC48 V 150 mA, Approx. 7.2 W (Class 0 device)	
	Ambient Operating Temperature	-30 °C to +50 °C (-22 °F to +122 °F) {Power On range: -20 °C to +50 °C (-4°F to +122 °F)}	
	Ambient Operating Humidity	10 to 100 % (no condensation)	
	Water and Dust Resistance <sup>2</sup>	IP66 (IEC 60529), Type 4X (UL50E), NEMA 4X compliant	
	Shock Resistance	IK10 (IEC 62262)	
	Dimensions	ø154 mm (W) x 103 mm (H) (ø6-1/16 inches x 4-1/16 inches (H)) Dome radius 42 mm (1-21/32 inches)	
	Mass (approx.)	1.0 kg (2.21 lbs.)	
Finish	Main body: Aluminum die cast/ PC resin, i-PRO white Outer fixing screws: Stainless steel (Corrosion-resistant treatment) Dome cover: Polycarbonate resin, Clear		

## Appearance



### Trademarks and registered trademarks

- iPad and iPhone are trademarks of Apple Inc., registered in the U.S. and other countries.
- Android is a trademark of Google LLC.
- ONVIF and the ONVIF logo are trademarks or registered trademarks of Onvif Inc.
- All other trademarks identified herein are the property of their respective owners.

### Important

- Safety Precaution : Carefully read the Basic Information, Installation Guide and Operating Instructions before using this product.
- Panasonic cannot be responsible for the performance of the network and/or other manufacturers' products used on the network.

- Masses and dimensions are approximate. • Specifications are subject to change without notice.

## Optional Accessories

### Mount Bracket / Dome Cover / Other

<b>Ceiling Mount Bracket (Embedded)</b> <b>WV-QS500-W</b> (i-PRO white)	<b>Mount Bracket</b> <b>WV-QSR501-W</b> (i-PRO white)	<b>Ceiling Mount Bracket</b> <b>WV-QCL100-W</b> (i-PRO white)	<b>Ceiling Mount Bracket</b> <b>WV-QCL501-W</b> (i-PRO white)
	 (This bracket requires WV-QWL501-W or WV-QCL501-W.)	 *For indoor installation only	 (This bracket requires WV-QSR501-W.)
<b>Ceiling Mount Bracket</b> <b>WV-Q105A</b>	<b>Wall Mount Bracket</b> <b>WV-QWL501-W</b> (i-PRO white)	<b>Wall Mount Bracket</b> <b>WV-QWL500-W</b> (i-PRO white)	<b>Adapter Box</b> <b>WV-QJB500-W</b> (i-PRO white)
 *For indoor installation only	 (This bracket requires WV-QSR501-W.)		 (This bracket requires WV-QWL500-W.)
<b>Pole Mount Bracket</b> <b>WV-QPL500-W</b> (i-PRO white)	<b>Corner Mount Bracket</b> <b>WV-QCN500-W</b> (i-PRO white)	<b>Attachment pipe</b> (For 3rd party bracket) <b>WV-QAT500-W</b> (i-PRO white)	<b>Dome Cover (Smoke type)</b> <b>WV-CW7S</b>
 (This bracket requires WV-QWL501-W.)	 (This bracket requires WV-QWL501-W.)		
<b>Base Bracket</b> <b>WV-QJB501-W</b> (i-PRO white)	<b>Sun Shade</b> <b>WV-QSR500-W</b> (i-PRO white)		

- The brackets are available in three colors, i-PRO white, Light gray, and Fine silver. It is possible to use them in the different color combination.

DISTRIBUTED BY :

Panasonic i-PRO Sensing Solutions Co., Ltd.

<https://ipro.panasonic.com>

<https://security.panasonic.com>

<https://www.facebook.com/Panasonicnetworkcamera/>

(2A-239BA)