

## iA H.265 360-degree Indoor Dome Camera

Panasonic WV-X4170 captures the highest quality images in even very challenging and dynamic environments.

In particular, the image of the person's face or object at the edge of the fisheye is clear with less distortion.

Intelligent Auto (iA) monitors scene dynamics and motion to adjust key camera settings automatically in real-time reducing distortion such as motion blur on moving objects. Adopting H.265 Smart Coding technology, bandwidth efficiency is intelligently increased for longer recording and less storage. Out of the box, the camera supports full data encryption streaming and is compliant to FIPS 140-2 Level 1 standards to keep your video secured.

### Extreme image quality for evidence capturing under challenging conditions

- Clear and less distorted image of the person's face and objects at the edge of the fisheye
- Instant response to sudden light changes like tunnel entry and exit
- Auto Shutter speed control for fast moving objects
- Super Dynamic 108dB for backlit situations and shadows on night streets

### Extreme H.265 compression with new Smart Coding

- Longer recording and less storage space compared to any H.264 based compression techniques
- New self-learning ROI\* encoding (Auto VIQS) dynamically detects motion areas to keep vehicles and humans in good picture quality while lowering your bandwidth \*Region of Interest

### Extreme Data Security

- Full encryption SD card edge recording to keep your data safe
- FIPS 140-2 Level 1 compliant
- Full end-to-end system encryption with supported VMS and devices to protect from IP snooping/spoofing and detect data alteration

### Key Features

- 9 Megapixel fisheye images up to 30 fps
- iA (intelligent Auto)
- Super Dynamic 108dB
- H.265 Smart Coding
- FIPS 140-2 Level 1 compliant

### Applications

- Transportation (Airport / Subway station)
- Logistics / Factory
- Education / Hospital
- Retail / Bank
- Building



# Specifications

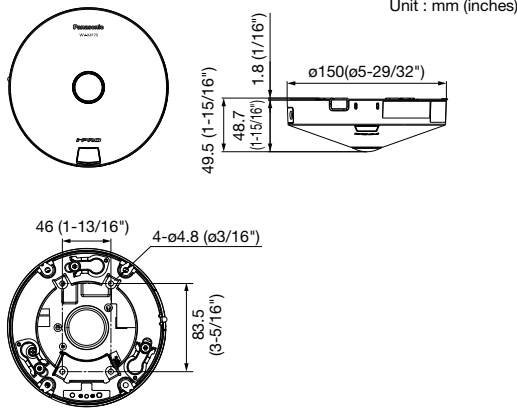
|                           |                                      |  |
|---------------------------|--------------------------------------|--|
| <b>Camera</b>             | Image Sensor                         | Approx. 1/2 type MOS image sensor  |
|                           | Minimum Illumination                 | Color : 0.3 lx, BW : 0.2 lx<br>(F1.9, Maximum shutter : Off (1/30 s), AGC : 11)<br>Color : 0.02 lx, BW : 0.01 lx<br>(F1.9, Maximum shutter : Max. 16/30s, AGC : 11) *1 |
|                           | Intelligent Auto                     | On / Off   |
|                           | Maximum shutter                      | Max. 16/30s to Max. 1/10000s   |
|                           | Super Dynamic <sup>2</sup>           | On / Off, the level can be set in the range of 0 to 31.  |
|                           | Dynamic Range                        | 108 dB (Super Dynamic : On, level : 31)  |
|                           | Image Settings                       | Gain (AGC), White balance  |
|                           | Image Compensation                   | Adaptive black stretch, Back light compensation (BLC),<br>Fog compensation, High light compensation (HLC),<br>Digital noise reduction                                  |
|                           | Day / Night (Electrical)             | Off / Auto   |
|                           | Video Motion Detection (VMD)         | On / Off, 4 areas available  |
|                           | Intelligent VMD (i-VMD) <sup>3</sup> | Type 5 *optional plug-in software WV-SAE200  |
|                           | Privacy Zone                         | On / Off (up to 8 zones available)   |
|                           | Camera Title (OSD)                   | On / Off Up to 20 characters (alphanumeric characters, marks)  |
|                           | Fixing angle adjustment              | -5°, 0°, +5°   |
|                           | <b>Lens</b>                          | Zoom Ratio   |
| Digital (electronic) zoom |                                      | Choose from 3 levels of x1, x2, x4   |
| Focal length              |                                      | 1.4 mm (1/16 inches)   |
| Maximum Aperture Ratio    |                                      | 1 : 1.9  |
| Focus range               |                                      | 0.5 m (19-11/16 inches) - ∞  |
| Angular Field of view     | Horizontal : 183° Vertical : 183°    |  |
| <b>Browser GUI</b>        | Camera Control                       | Brightness   |
|                           | GUI / Setup Menu Language            | English, Italian, French, German, Spanish, Portuguese, Russian, Chinese, Japanese  |
| <b>Network</b>            | Network IF                           | 10Base-T / 100Base-TX, RJ45 connector  |
|                           | Resolution                           | <Ceiling><br><Wall>  |
|                           |                                      | <Ceiling>  |
|                           |                                      | <Wall>   |

\*1 Converted value  
\*2 When "On" is selected for "Super Dynamic(SD)", the frame rate is restricted to a maximum of 15fps.  
\*3 Auto VIQS, i-VMD, can not be used at the same time.

|                                   |  |   |  |
|-----------------------------------|--|---|--|
| <b>Network</b>                    | H.265/<br>H.264 <sup>4</sup>   | Transmission Mode   | Constant bit rate / VBR / Frame rate / Best effort |
|                                   | JPEG   | Transmission Type   | Unicast / Multicast                                |
|                                   | Smart Coding   | Image Quality   | 10 steps   |
|                                   | Supported Protocol   | <b>GOP (Group of pictures) control :</b><br>On (Frame rate control) / On (Advanced) / On (Low) / On (Mid) / Off<br>*On (Frame rate control) and On (Advanced) are only available with H.265.<br><b>Auto VIQS :</b> On / Off |  |
| Maximum concurrent access number  | Up to 14 users (Depends on network conditions)   |   |  |
| SDXC/SDHC/SD Memory Card (Option) | H.265 / H.264 recording :<br>Manual REC / Alarm REC (Pre/Post) / Schedule REC / Backup upon network failure<br>JPEG recording :<br>Manual REC / Alarm REC (Pre/Post) / Backup upon network failure<br>Compatible SDXC/SDHC/SD card :<br>Panasonic 2 GB, 4 GB*, 8 GB*, 16 GB*, 32 GB*, 64 GB**, 128 GB**, 256 GB** model<br>*SDHC card, **SDXC card (except miniSD card and microSD card) |   |  |
| Mobile Terminal Compatibility     | iPad, iPhone, Android™ mobile terminals  |   |  |
| <b>Alarm</b>                      | Alarm Source   | VMD, Command alarm  |  |
|                                   | Alarm Actions  | SDXC/SDHC/SD memory recording, E-mail notification, HTTP alarm notification, Indication on browser, FTP image transfer, Panasonic alarm protocol output   |  |
| <b>General</b>                    | Safety   | UL (UL60950-1), c-UL (CSA C22.2 No.60950-1), CE, IEC60950-1   |  |
|                                   | EMC  | FCC (Part15 ClassA), ICES003 ClassA, EN55032 ClassB, EN55024  |  |
|                                   | Power Source and Power Consumption   | PoE (IEEE802.3af compliant)<br>Device : DC 48 V 150 mA/Approx. 7.2 W (Class 0 device)   |  |
|                                   | Ambient Operating Temperature  | 0 °C to +40 °C (32 °F to 104 °F)  |  |
|                                   | Ambient Operating Humidity   | 10% to 90 % (no condensation)   |  |
|                                   | Dimensions   | ø150 mm x 49.5 mm (H) (ø5-29/32 inches x 1-15/16 inches (H))  |  |
|                                   | Mass (approx.)   | Approx. 400 g (0.88 lbs)  |  |
|                                   | Finish   | Main body : ABS resin, Sail white   |  |

\*4 Transmission for 2 streams can be individually set.

## Appearance



## Optional Accessories

**Ceiling Mount Bracket WV-Q105A**

**Plug-in Software for i-VMD WV-SAE200**

i-VMD is possible to detect objects in the specified area by advanced video analysis technology.

i-VMD : People Counting, Heat-map, MOR(Moving Object Remover), Intruder Detection, Loitering Detection, Cross line Detection, Object Detection, Scene change Detection

Notification sent to the monitoring screen

**Trademarks and registered trademarks**  
 - iPad and iPhone are trademarks of Apple Inc., registered in the U.S. and other countries.  
 - Android is a trademark of Google Inc.  
 - ONVIF and the ONVIF logo are trademarks or registered trademarks of ONVIF Inc.  
 - All other trademarks identified herein are the property of their respective owners.

**Important**  
 - Safety Precaution : Carefully read the Important Information, Installation Guide and operating instructions before using this product.  
 - Panasonic cannot be responsible for the performance of the network and/or other manufacturers' products used on the network.  
 • Masses and dimensions are approximate. • Specifications are subject to change without notice.

DISTRIBUTED BY :

# Panasonic

<http://security.panasonic.com>  
<http://www.facebook.com/PanasonicNetworkCamera>

(2A-205AA)