



Better Image Quality and 2x Variable-Focal Lens. The Advanced WV-CF224EX Mini Dome Camera, an EXcellent Performer.

The new WV-CF224EX Colour Dome Camera from Panasonic is equipped with a 440,000 pixel, 1/4-type CCD and can be used with both AC and DC power sources. In addition to 480 TV lines horizontal resolution, it can operate effectively in lighting as low as 1.6 lux with an aperture setting of F1.4. A full range of correction features including Backlight Compensation (BLC), Aperture Correction, and Auto Tracing White Balance (ATW) ensure crisp colour images in dark or backlit environments. The 2.8mm to 6.0mm variable-focal auto iris lens* is standard, allowing for easy installation and camera angle adjustment.

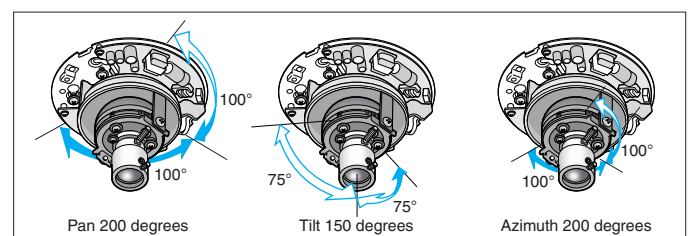
When used with a 24-volt AC power source, it simultaneously supports Internal, Line-Lock, and VD2 synchronization, making it simple to configure a reliable, multi-channel camera system.

Great features, simple operation, system flexibility and economical, the WV-CF224EX is an "EXcellent" surveillance solution for a wide range of applications.

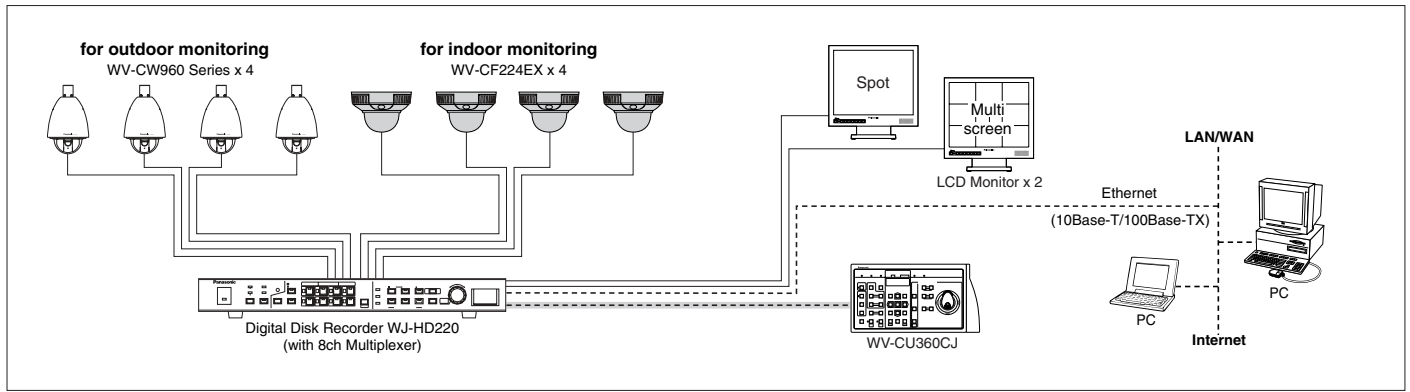
*Lens is non-exchangeable.

KEY FEATURES

- 135mm diameter compact colour dome camera for indoor use.
- 480 TV lines horizontal resolution.
- Minimum illumination of 1.6 lux.
- 50dB signal to noise ratio.
- Built-in 2x variable-focal lens (2.8-6.0mm) with auto iris.
- Built-in aperture level (sharp/soft) correction.
- Advanced digital adaptive Back-Light Compensation (BLC) capability.
- Internal/Line-lock/VD2 synchronization (Line-lock : 24V AC operation only).
- Vertical drive (VD2) sync capability with Panasonic system products.
- Video monitor output jack provides "on the spot" checking of the lens angle setting.
- Can be installed in standard electric junction box.
- 24V AC/12V DC compatible power source operation to suit a wide variety of applications.
- 3-dimensional hinge (Pan, Tilt and Azimuth) allows the camera to be rotated as well as moved horizontally and vertically. Select the precise camera angle you need. No camera makes it easier.



SYSTEM EXAMPLE



OPTIONAL COMPONENTS

Digital Disk Recorders

WJ-HD316A (16ch)

WJ-HD309A (9ch)

WJ-HD220 (8ch)

WJ-HD88 (8ch)

System Controllers

WV-CU650

WV-CU360CJ

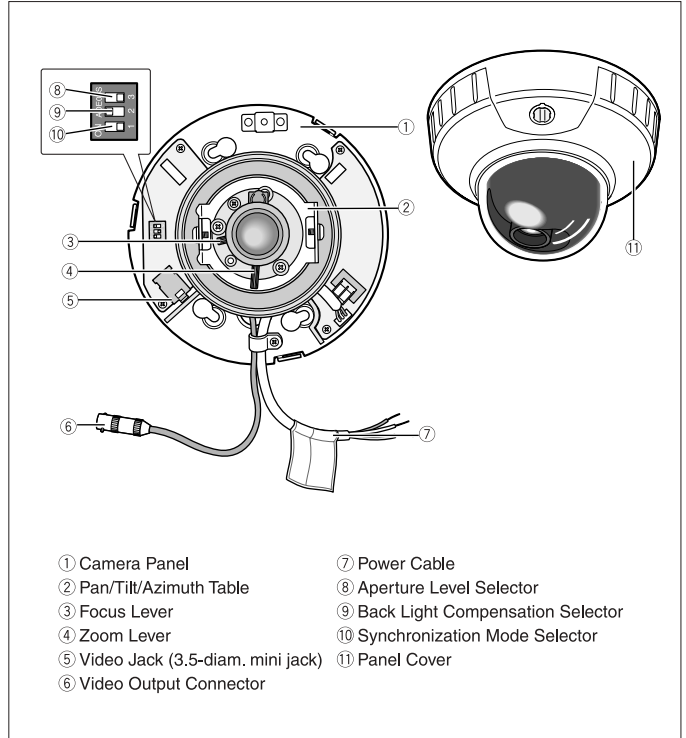
LCD AV Monitors

WV-LC1710 43.2cm (17")

WV-LD2000 50.8cm (20")

WV-LD1500 38.1cm (15")

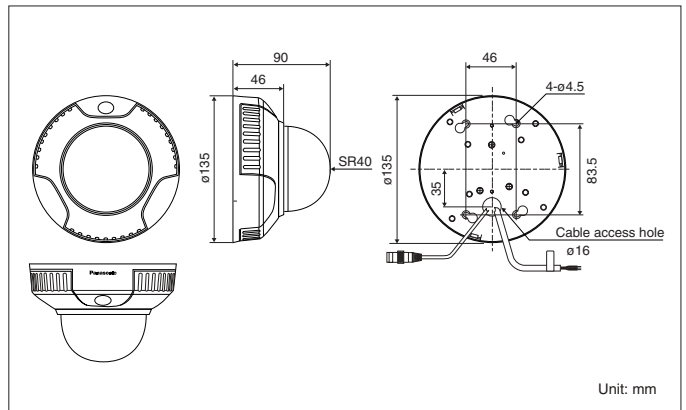
MAJOR OPERATING CONTROLS



SPECIFICATIONS PAL

Pick-up Device	752 (H) x 582 (V) pixels, interline transfer CCD
Scanning Area	3.6 (H) x 2.7 (V) mm (equivalent to scanning area of 1/4" pick-up tube)
Synchronization	Internal, Line-lock (24 V AC only) or multiplexed vertical drive (VD2)
Scanning System	2 : 1 interlace
Scanning	625 lines / 50 fields / 25 frames
Horizontal	15.625 kHz
Vertical	50 Hz
Horizontal Resolution	480 TV lines
Video Output	1.0 V [p-p] PAL composite 75 Ω
Automatic Gain Control (AGC)	+18 dB
Automatic Tracing White Balance (ATW)	ON only
Signal-to-Noise Ratio	50 dB (equivalent to AGC Off, weight On)
Minimum Illumination	1.6 lux at F1.4 (WIDE)
Back Light Compensation (BLC)	On or Off
Detail	Sharp or Soft, selectable
Lens	
Type	2x variable-focal lens with auto iris
Focal Length	2.8 ~ 6.0 mm
Angular Field of View	Horizontal: 35.6° ~ 72.6°, Vertical: 26.7° ~ 54.0°
F Number	F1.4 (Wide) to F176, close / F1.8 (Wide) to F176, close
Min. Object Distance	1.2 m
Panning Range	200° (±100°)
Tilting Range	150° (±75°)
Azimuth Range	200° (±100°)
Ambient Operating Temperature	-10 °C ~ +50 °C
Ambient Operating Humidity	Less than 90 %
Power Source and	
Power Consumption	12 V DC, 235 mA
	24 V AC 50 Hz, 2.8 W
Dimensions	ø135 (D) x 90 (H) mm
Weights	0.46 kg

APPEARANCE



Important – Safety Precaution: carefully read the operating instructions and installation manual before using this product.

• Weights and dimensions are approximate. • Specifications are subject to change without notice. • These products may be subject to export control regulations.

DISTRIBUTED BY:

Panasonic

Panasonic is the brandname of Matsushita Electric.

Printed in Japan

WV-JKCF224EXT(2N-714B)